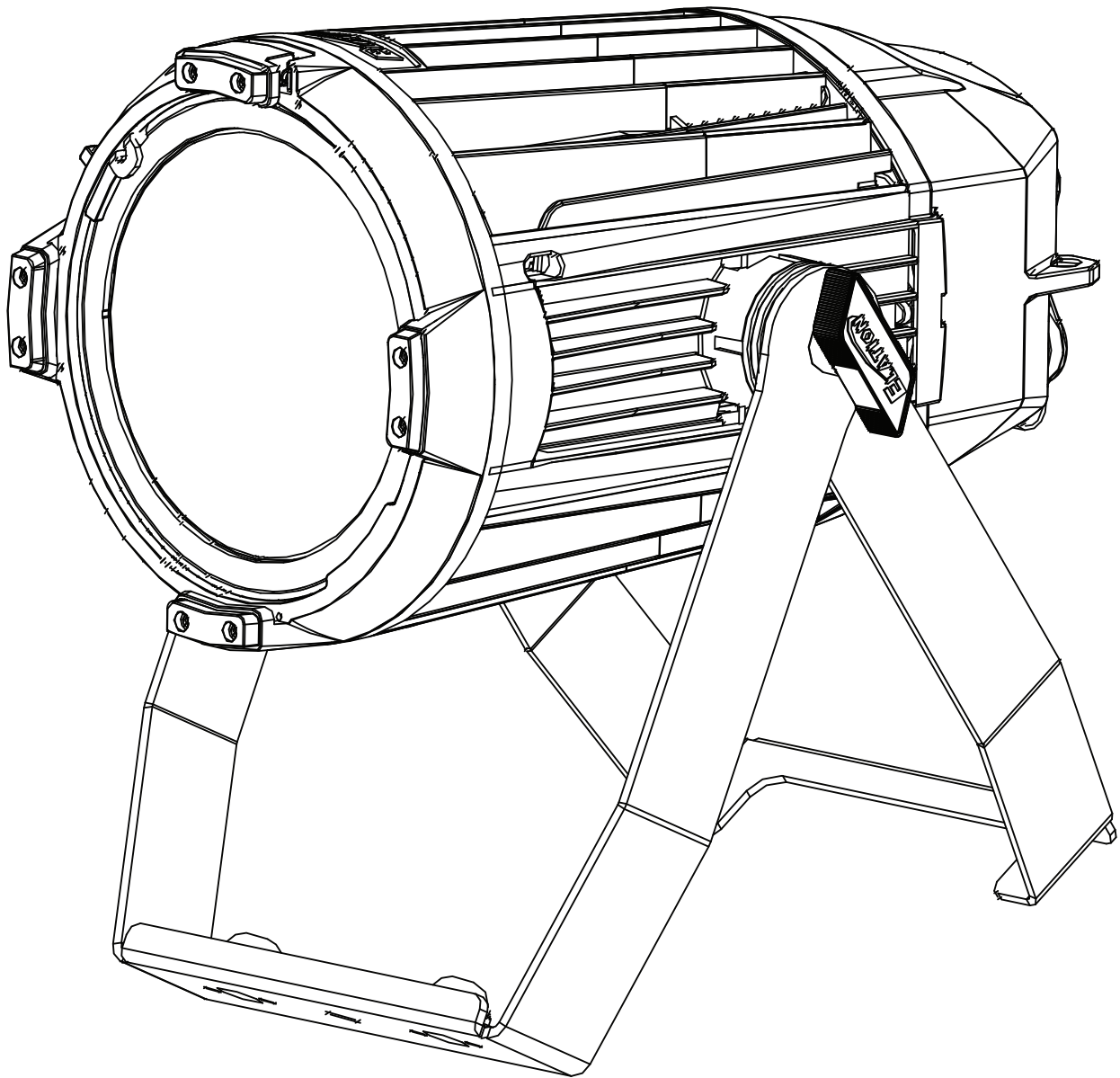


# ELATION®



**KL** PAR FC IP  
User Manual

©2023 **ELATION PROFESSIONAL** all rights reserved. Information, specifications, diagrams, images, and instructions herein are subject to change without notice. ELATION PROFESSIONAL logo and identifying product names and numbers herein are trademarks of ELATION PROFESSIONAL. Copyright protection claimed includes all forms and matters of copyrightable materials and information now allowed by statutory or judicial law or hereinafter granted. Product names used in this document may be trademarks or registered trademarks of their respective companies and are hereby acknowledged. All non-ELATION brands and product names are trademarks or registered trademarks of their respective companies.

**ELATION PROFESSIONAL** and all affiliated companies hereby disclaim any and all liabilities for property, equipment, building, and electrical damages, injuries to any persons, and direct or indirect economic loss associated with the use or reliance of any information contained within this document, and/or as a result of the improper, unsafe, insufficient and negligent assembly, installation, rigging, and operation of this product.

**Elation Professional USA | 6122 S. Eastern Ave. | Los Angeles, CA. 90040**

323-582-3322 | 323-832-9142 fax | [www.elationlighting.com](http://www.elationlighting.com) | [info@elationlighting.com](mailto:info@elationlighting.com)

**Elation Professional B.V. | Junostraat 2 | 6468 EW Kerkrade, The Netherlands**

+31 45 546 85 66 | +31 45 546 85 96 fax | [www.elationlighting.eu](http://www.elationlighting.eu) | [info@elationlighting.eu](mailto:info@elationlighting.eu)

**Elation Professional Mexico | AV Santa Ana 30 | Parque Industrial Lerma, Lerma, Mexico 52000**

+52 (728) 282-7070

## DOCUMENT VERSION



Due to additional product features and/or enhancements, an updated version of this document may be available online. Please scan the QR Code with your mobile device or visit [www.elationlighting.com](http://www.elationlighting.com) for the latest revision/update of this manual, before installation and/or programming.

Date	Document Version	Software Version	DMX Channel Mode	Notes
10/31/23	1.0	1.01	1/6/11/17/9/13	Initial Release

# CONTENTS

<b>General Information</b>	<b>4</b>
<b>Limited Warranty (USA Only)</b>	<b>5</b>
<b>IP65 Rated</b>	<b>6</b>
<b>Safety Guidelines</b>	<b>7</b>
<b>Maintenance Guidelines</b>	<b>9</b>
<b>Overview</b>	<b>10</b>
<b>Installation Guidelines</b>	<b>11</b>
<b>Accessory Installation</b>	<b>15</b>
<b>Control Panel</b>	<b>16</b>
<b>Remote Device Management (RDM)</b>	<b>17</b>
<b>System Menu</b>	<b>18</b>
<b>Touch Bar Mode</b>	<b>21</b>
<b>Fan Control and Low Noise Operation</b>	<b>22</b>
<b>DMX Traits</b>	<b>23</b>
<b>Dimmer Modes &amp; Curves</b>	<b>28</b>
<b>Color Temperature Chart</b>	<b>29</b>
<b>Color Macros Chart</b>	<b>30</b>
<b>Torque Settings for Screws</b>	<b>31</b>
<b>IP Test Parameters</b>	<b>32</b>
<b>Dimensional Drawings</b>	<b>33</b>
<b>Specifications</b>	<b>34</b>
<b>Ordering Information   FCC Statement</b>	<b>35</b>

# GENERAL INFORMATION

## INTRODUCTION

Please read and understand the instructions in this manual carefully and thoroughly before attempting to operate this device. These instructions contain important safety and use information. **This device is intended for use by trained personnel only, and is not suitable for private use.**

## UNPACKING

Every device has been thoroughly tested and has been shipped in perfect operating condition. Carefully check the shipping carton for damage that may have occurred during shipping. If the carton is damaged, carefully inspect the device for damage, and be sure all accessories necessary to install and operate the device have arrived intact. In the event damage has been found or parts are missing, please contact our customer support team for further instructions. Please do not return this device to your dealer without first contacting customer support. Please do not discard the shipping carton in the trash. Please recycle whenever possible.

## BOX CONTENTS

- Gel Frame (x1)
- Power Cable (x1)
- Lenses:
  - VN<sub>SP</sub> (11°)
  - N<sub>SP</sub> (22°)
  - M<sub>FL</sub> (30°)
  - W<sub>FL</sub> (52°)

## CUSTOMER SUPPORT

Contact ELATION Service for any product related service and support needs. Also visit [forums.elationlighting.com](https://forums.elationlighting.com) with questions, comments, or suggestions.

**ELATION SERVICE USA - Monday - Friday 8:00am to 4:30pm PST**  
323-582-3322 | Fax 323-832-9142 | [support@elationlighting.com](mailto:support@elationlighting.com)

**ELATION SERVICE EUROPE - Monday - Friday 08:30 to 17:00 CET**  
+31 45 546 85 63 | Fax +31 45 546 85 96 | [support@elationlighting.eu](mailto:support@elationlighting.eu)

REPLACEMENT PARTS please visit [parts.elationlighting.com](https://parts.elationlighting.com)



## IMPORTANT NOTICE!

**THERE ARE NO USER SERVICEABLE PARTS INSIDE THIS UNIT. DO NOT ATTEMPT ANY REPAIRS YOURSELF, AS DOING SO WILL VOID YOUR MANUFACTURER'S WARRANTY. DAMAGES RESULTING FROM MODIFICATIONS TO THIS FIXTURE AND/OR THE DISREGARD OF SAFETY INSTRUCTIONS AND GUIDELINES IN THIS MANUAL VOID THE MANUFACTURER'S WARRANTY AND ARE NOT SUBJECT TO ANY WARRANTY CLAIMS AND/OR REPAIRS.**

## LIMITED WARRANTY (USA ONLY)

- A. Elation Professional hereby warrants, to the original purchaser, Elation Professional products to be free of manufacturing defects in material and workmanship for a period of two years (730 days), and Elation Professional product rechargeable batteries to be free of manufacturing defects in material and workmanship for a period of six months (180 days), from the original date of purchase. This warranty excludes discharge lamps and all product accessories. This warranty shall be valid only if the product is purchased within the United States of America, including possessions and territories. It is the owner's responsibility to establish the date and place of purchase by acceptable evidence, at the time service is sought.
- B. For warranty service, send the product only to the Elation Professional factory. All shipping charges must be pre-paid. If the requested repairs or service (including parts replacement) are within the terms of this warranty, Elation Professional will pay return shipping charges only to a designated point within the United States. If any product is sent, it must be shipped in its original package and packaging material. No accessories should be shipped with the product. If any accessories are shipped with the product, Elation Professional shall have no liability what so ever for loss and/or damage to any such accessories, nor for the safe return thereof.
- C. This warranty is void if the product serial number and/or labels are altered or removed; if the product is modified in any manner which Elation Professional concludes, after inspection, affects the reliability of the product; if the product has been repaired or serviced by anyone other than the Elation Professional factory unless prior written authorization was issued to purchaser by Elation Professional; if the product is damaged because not properly maintained as set forth in the product instructions, guidelines and/or user manual.
- D. This is not a service contract, and this warranty does not include any maintenance, cleaning or periodic check-up. During the periods as specified above, Elation Professional will replace defective parts at its expense, and will absorb all expenses for warranty service and repair labor by reason of defects in material or workmanship. The sole responsibility of Elation Professional under this warranty shall be limited to the repair of the product, or replacement thereof, including parts, at the sole discretion of Elation Professional. All products covered by this warranty were manufactured after January 1, 1990, and bare identifying marks to that effect.
- E. Elation Professional reserves the right to make changes in design and/or performance improvements upon its products without any obligation to include these changes in any products theretofore manufactured.
- F. No warranty, whether expressed or implied, is given or made with respect to any accessory supplied with the products described above. Except to the extent prohibited by applicable law, all implied warranties made by Elation Professional in connection with this product, including warranties of merchantability or fitness, are limited in duration to the warranty periods set forth above. And no warranties, whether expressed or implied, including warranties of merchantability or fitness, shall apply to this product after said periods have expired. The consumer's and/or dealer's sole remedy shall be such repair or replacement as is expressly provided above; and under no circumstances shall Elation Professional be liable for any loss and/or damage, direct and/or consequential, arising out of the use of, and/or the inability to use, this product.
- G. This warranty is the only written warranty applicable to Elation Professional products and supersedes all prior warranties and written descriptions of warranty terms and conditions heretofore published.

### WARRANTY RETURNS

All returned service items whether under warranty or not, must be freight pre-paid and accompany a return authorization (R.A.) number. The R.A. number must be clearly written on the outside of the return package. A brief description of the problem as well as the R.A. number must also be written down on a piece of paper and included in the shipping container. If the unit is under warranty, you must provide a copy of your proof of purchase invoice. Items returned without a R.A. number clearly marked on the outside of the package will be refused and returned at customer's expense. You may obtain a R.A. number by contacting customer support.

# IP65 RATED

The **International Protection (IP)** rating system is commonly expressed as “**IP**” (Ingress Protection) followed by two numbers (i.e. IP65), where the numbers define the degree of protection. The first digit (Foreign Bodies Protection) indicates the extent of protection against particles entering the fixture, and the second digit (Water Protection) indicates the extent of protection against water entering the fixture. An **IP65** rated lighting fixture is designed and tested to protect against the ingress of dust (**6**), and low-pressure water jets from any direction (**5**).

**NOTE: THIS FIXTURE IS INTENDED FOR TEMPORARY OUTDOOR USE ONLY!**

**Maritime/Coastal Environment Installations:** A coastal environment is seaside adjacent, and caustic to electronics through exposure to atomized salt-water and humidity, whereas maritime is anywhere within 5-miles of a coastal environment.



**NOT suitable for maritime/coastal environment installations. Installing this fixture in a maritime/coastal environment may cause corrosion and/or excessive wear to the interior and/or exterior components of the fixture. Damages and/or performance issues resulting from installation in a maritime/coastal environment will void the manufactures warranty, and will NOT be subject to any warranty claims and/or repairs.**

Maritime installations require additional preparation, and additional service intervals may be needed given the maritime use. In general, IP ratings presuppose freshwater conditions VS maritime conditions, which are typically more “caustic” to IP fixtures (both internally and externally). A duty-cycle may also be needed when units are not in use. During times of high humidity and colder temperatures, condensation may occur internally so the fixture may require a duty-cycle to bring it up to running temperature, allowing any accumulation of moisture to be expelled via the vent valve. Recommendations can change based on installation environmental circumstances. A waterproof dome or similar device is recommended for use in permanent outdoor installations. When using a dome, refer to manufacturer recommendations for duty-cycle.

**NOTE: NOT ALL FEATURES LISTED ARE AVAILABLE ON ALL FIXTURES; THE FOLLOWING INSTRUCTIONS MAY NOT APPLY. CONTACT SUPPORT FOR ADDITIONAL DETAILS.**

**Exterior Maintenance:** Inspect the exterior every 30-days. The unit must be powered off/disconnected. The chassis should be inspected for any signs of contaminants. Inspect optics to determine if the lens is obstructed, then clean optics and chassis accordingly. Based on initial finding, schedule maintenance accordingly, keeping in mind that exterior maintenance will be required. Even if the luminaires are NOT in use, maintenance will still be needed given its location (exterior use). The use of a durable type of wax on the chassis is recommended since it will help prevent contaminant build up. Inspect both power and data lines for any signs of contaminants or corrosion. Periodically reapplying di-electric grease, especially in coastal environments. If any signs of corrosion/contaminants are present, clean thoroughly, and/or replace connectors, then reapply di-electric grease. Typically, this should be done annually, or any time an opportunity presents itself. As a preventive measure, annual replacement of both vent valves is recommended. The vent valve membrane can become contaminated and/or clogged causing improper venting of humidity within the luminaire. Inspect all mounting hardware as a precaution.

**Interior Maintenance:** Inspect the interior every 30-days. The unit must be powered off/disconnected.

- Inspect zoom/focus mechanism, clean optics, lubricate linear bearings (Krytox oil) as needed, inspect belts for wear
- Inspect all rotating effect wheels, manually rotate them, note any resistance
- Inspect all remaining rotating belts for any wear
- Inspect all fans, clean as needed, check rotation, check connections
- Inspect CMY module, manually move flags and check for signs of resistance, and if needed, clean guide rods first, then reapply a thin layer of grease (moly lube)
- Clean interior with low-volume compressed air, then clean optics prior to reassembly of head covers

Although the base has limited moving parts, the pan belt should also be inspected for wear. Remember to always perform an IP test anytime a cover is removed.

There is no specific time frame regarding the routine replacement of parts such as belts/stepper motors, PCBs, or LEDs. These items should only be replaced on an as needed bases, except for cooling fans, which should be replaced once the luminaries reach 10,000-hours. This is a prophylactic measure intended to keep the unit running as cool as possible, insuring proper function of all internal components. A complete service breakdown is available, please contact [service@elationlighting.com](mailto:service@elationlighting.com) for any needed parts or manuals.

# SAFETY GUIDELINES

This fixture is a sophisticated piece of electronic equipment. To guarantee smooth operation, it is important to follow all instructions and guidelines in this manual. Elation Professional is not responsible for injury and/or damages resulting from the misuse of this fixture due to the disregard of the information printed in this manual. Only qualified and/or certified personnel should perform installation of this fixture and only the original rigging parts included with this fixture should be used for installation. Any modifications to the fixture and/or the included mounting hardware will void the original manufacturer's warranty and increase the risk of damage and/or personal injury.



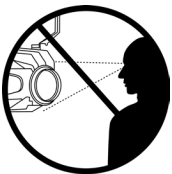
**PROTECTION CLASS 1 - FIXTURE MUST BE PROPERLY GROUNDED.**



**THERE ARE NO USER SERVICEABLE PARTS INSIDE THIS UNIT. DO NOT ATTEMPT ANY REPAIRS YOURSELF. DOING SO WILL VOID YOUR MANUFACTURER'S WARRANTY. DAMAGES RESULTING FROM MODIFICATIONS TO THIS DEVICE AND/OR THE DISREGARD OF SAFETY INSTRUCTIONS AND GUIDELINES IN THIS MANUAL VOID THE MANUFACTURER'S WARRANTY AND ARE NOT SUBJECT TO ANY WARRANTY CLAIMS AND/OR REPAIRS.**



**DO NOT PLUG THIS UNIT INTO A DIMMER PACK  
DO NOT REMOVE THE COVER PANELS FOR ANY REASON  
NEVER OPERATE THIS UNIT WITH THE CASING REMOVED  
UNPLUG FROM POWER DURING LONG PERIODS OF NON-USE  
DISCONNECT POWER BEFORE PERFORMING MAINTENANCE**



**NEVER LOOK DIRECTLY INTO THE LIGHT SOURCE!  
RETINA INJURY RISK - MAY INDUCE BLINDNESS!  
SENSITIVE PERSONS MAY SUFFER AN EPILEPTIC SHOCK!  
FIXTURE SHOULD BE PLACED A MINIMUM OF 1.0 FOOT (0.3 METERS) FROM ANY NEARBY OBJECTS OR SURFACES.**



**FIXTURE SHOULD BE PLACED A MINIMUM OF 1.6 FEET (0.5 METERS) FROM ANY FLAMMABLE MATERIALS.  
MAXIMUM AMBIENT OPERATING TEMPERATURE IS 113°F (45°C)**

# SAFETY GUIDELINES

**For Your Own Personal Safety, Please Read and Understand This Manual Completely Before You Attempt To Install Or Operate This Unit!**

- Do not touch the fixture housing during operation, as it may be hot.
- Do not shake the fixture, and avoid using brute force when installing and/or operating.
- Use only the original packaging and materials to transport or ship the fixture for service. Make sure to retain the original packaging for this purpose.
- Be sure that the local power outlet matches the required voltage for the device.
- Do not open up the device for any reason. There are no user serviceable parts inside.
- Disconnect the device's main power when left unused for long periods of time.
- Never connect this device to a dimmer pack.
- Do not attempt to operate this device if it has been damaged in any way.
- Never operate this device with the cover removed.
- Do not attempt to operate this device if the power cord has been frayed or broken.
- Never force a power cord connector into the fixture. If the power cord or any of its connectors are damaged, replace immediately with a new cord of the same power rating.
- Do not attempt to remove or break off the ground prong from the electrical cord. This prong is used to reduce the risk of electrical shock and fire in case of an internal short.
- Only handle the power cord by the plug end. Never disconnect the plug by tugging on the wire portion of the power cord.
- Disconnect from main power before making any type of connection.
- Never block the air ventilation slots. Always be sure to mount this device in an area that will allow proper ventilation. Allow about 6" (15cm) between this device and a wall.
- Always mount this unit in a safe and stable matter.
- Please route your power cord out of the way of foot traffic. Power cords should be routed so they are not likely to be walked on or pinched by items placed upon or against them.
- Before performing any servicing, turn off and disconnect the device from power and allow at least 15 minutes for the device to cool.
- Consistent operational breaks will ensure that this fixture will function properly for many years.
- The device should be serviced by qualified service personnel when:
  - A. The power-supply cord or the plug has been damaged.
  - B. Objects have fallen on, or liquid has been spilled into, the device.
  - C. The device has been immersed in liquid or exposed to moisture.
  - D. The appliance does not appear to operate normally or exhibits a marked change in performance.

**Keep all flammable materials away from this fixture!**



# MAINTENANCE GUIDELINES



**DISCONNECT POWER BEFORE PERFORMING ANY MAINTENANCE!**

## **CLEANING**

Frequent cleaning is recommended to ensure proper function, optimized light output, and an extended life. The frequency of cleaning depends on the environment in which the fixture operates: damp, smoky or particularly dirty environments can cause greater accumulation of dirt on the fixture's optics. Clean periodically with a soft cloth to avoid dirt/debris accumulation.

**NEVER** use alcohol, solvents, or ammonia-based cleaners.

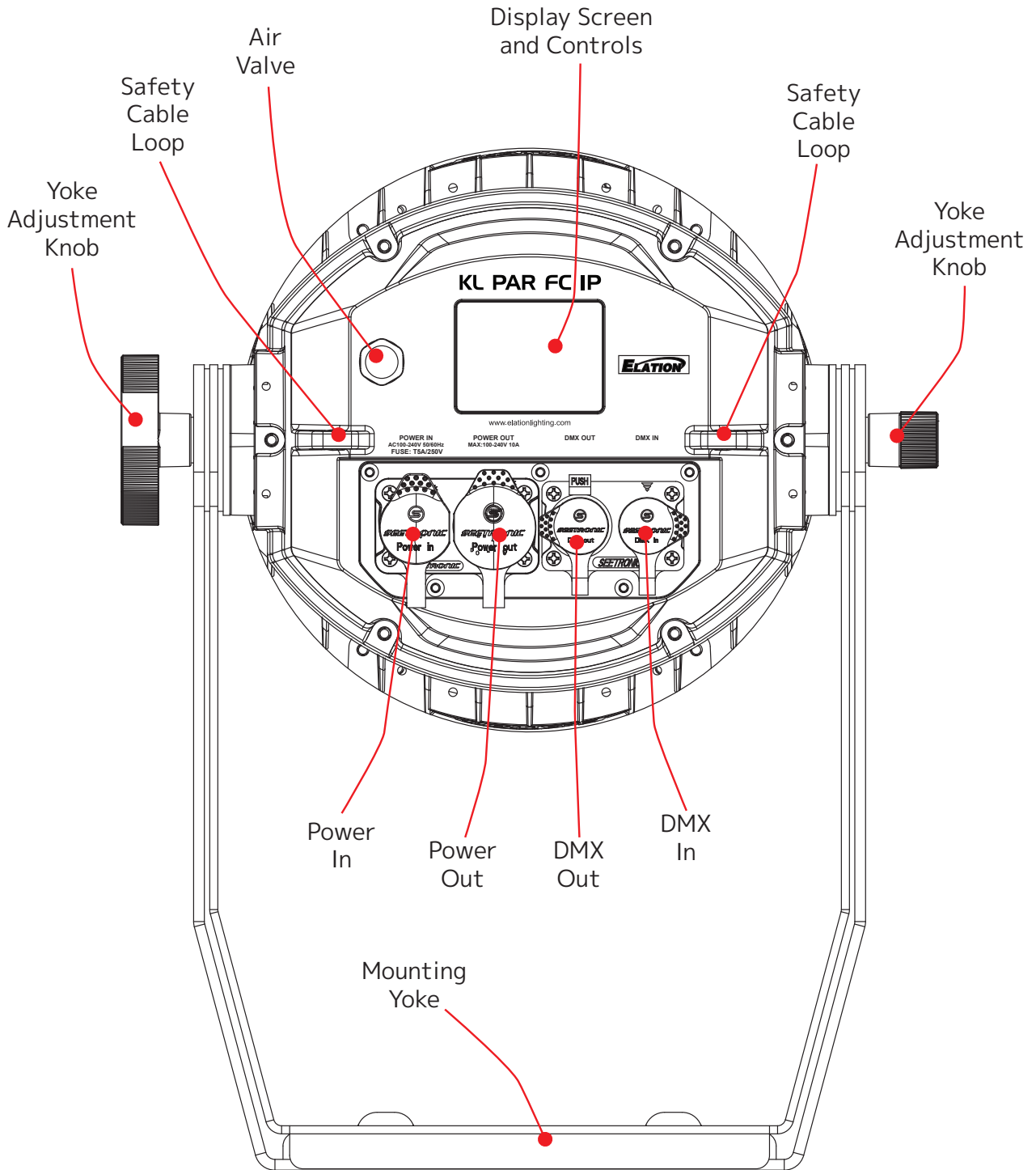
## **MAINTENANCE**

Regular inspections are recommended to insure proper function and extended life. There are no user serviceable parts inside this fixture. Please refer all other service issues to an authorized Elation service technician. Should you need any spare parts, please order genuine parts from an authorized Elation dealer.

Please refer to the following points during routine inspections:

- A detailed electrical check by an approved electrical engineer every three months, to make sure the circuit contacts are in good condition and prevent overheating.
- Be sure all screws and fasteners are securely tightened at all times. Loose screws may fall out during normal operation, resulting in damage or injury as larger parts could fall.
- Check for any deformations on the housing, color lenses, rigging hardware and rigging points (ceiling, suspension, trussing). Deformations in the housing could allow for dust to enter into the fixture. Damaged rigging points or unsecured rigging could cause the fixture to fall and seriously injure a person(s).
- Electric power supply cables must not show any damage, material fatigue or sediments.

# OVERVIEW



# INSTALLATION GUIDELINES



## **FLAMMABLE MATERIAL WARNING**

Keep fixture minimum 5.0 feet (1.5m) away from flammable materials and/or pyrotechnics.



## **ELECTRICAL CONNECTIONS**

A qualified electrician should be used for all electrical connections and/or installations.



## **MINIMUM DISTANCE TO OBJECTS/SURFACES IS 1 FOOT (0.3 METERS)**



## **MINIMUM DISTANCE OF FLAMMABLE MATERIALS FROM THE SURFACE IS 1.6 FEET (0.5 METER)**



## **MAXIMUM AMBIENT TEMPERATURE 113° F (45°C)**



## **DO NOT INSTALL THE FIXTURE IF YOU ARE NOT QUALIFIED TO DO SO!**

Fixture **MUST** be installed following all local, national, and country commercial electrical and construction codes and regulations.

Before rigging/mounting a single fixture or multiple fixtures to any metal truss/structure or placing the fixture(s) on any surface, a professional equipment installer **MUST** be consulted to determine if the metal truss/structure or surface is properly certified to safely hold the combined weight of the fixture(s), clamps, cables, and accessories.

Fixture(s) should be installed away from walking paths, seating areas, or areas where unauthorized personnel might reach the fixture by hand.

**NEVER** stand directly below the fixture(s) when rigging, removing, or servicing.

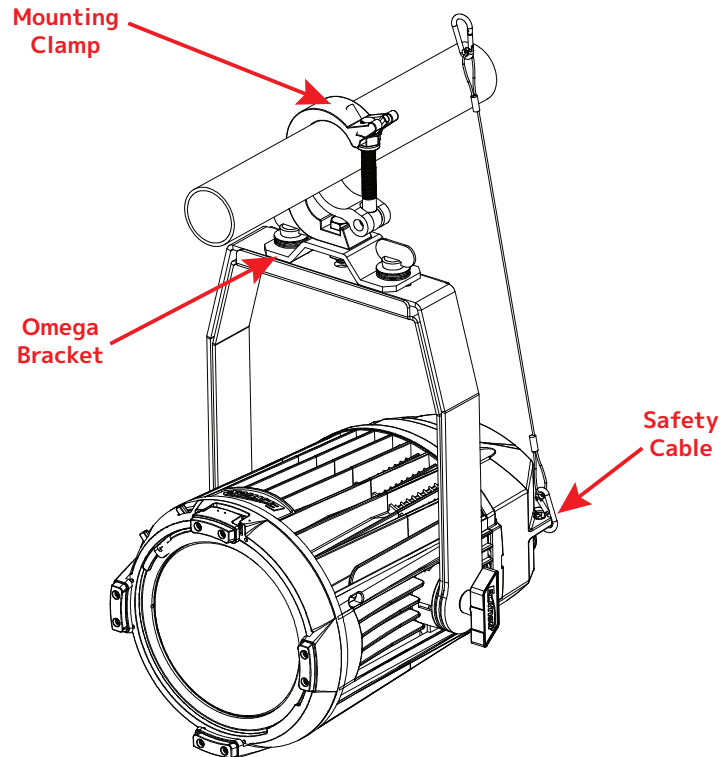
Overhead fixture installation must always be secured with a secondary safety attachment, such as an appropriately rated safety cable.

Allow approximately 15 minutes for the fixture to cool down before servicing.

# INSTALLATION GUIDELINES

## CLAMP INSTALLATION

This device features an attachment point for an Omega bracket built into the mounting bracket, as well as two safety cable attachment points located on the rear face of the fixture on either side of the control panel (see the illustration below). When mounting the fixture to a truss or any other suspended or overhead installation, secure an appropriately rated clamp (not included) to the Omega bracket, then attach the Omega bracket to the mounting yoke and secure it in place using the twist-lock fasteners on the Omega bracket. Attach a separate SAFETY CABLE of the appropriate rating to at least one of the two provided attachment points.



**ALWAYS ATTACH A SAFETY CABLE WHENEVER INSTALLING THIS FIXTURE IN A SUSPENDED ENVIRONMENT TO ENSURE THAT THE FIXTURE WILL NOT FALL IF THE CLAMP FAILS.**

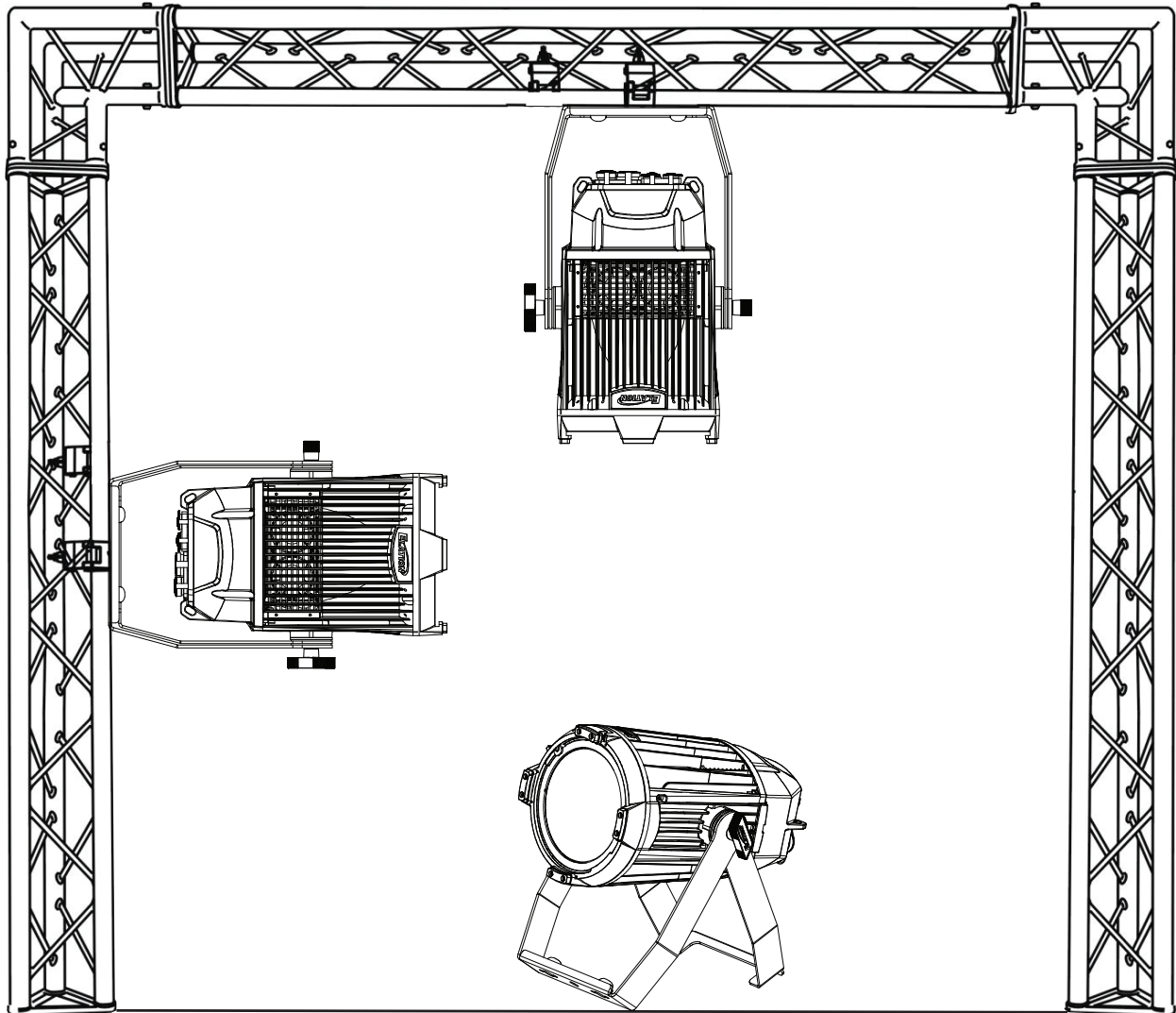
## RIGGING

Overhead rigging requires extensive experience, including but not limited to: calculating working load limits, understanding the installation material being used, and periodic safety inspection of all installation material and the fixture itself. If you lack these qualifications, do not attempt to perform the installation yourself. Improper installation can result in bodily injury.

# INSTALLATION GUIDELINES

## FIXTURE INSTALLATION

This fixture is fully operational in three different mounting positions: hanging upside-down, mounted sideways on trussing, or set on a flat level surface. Be sure this fixture is kept well away from any flammable materials (decoration etc.). Always use and install the supplied safety cable as a safety measure to prevent accidental damage and/or injury in the event the clamp fails.



**FALLING FIXTURES CAN CAUSE SEVERE INJURY OR SERIOUS EQUIPMENT DAMAGE! FOR THIS REASON, FIXTURES SHOULD BE INSTALLED AND INSPECTED ONLY BY QUALIFIED PERSONNEL. DO NOT INSTALL THE UNIT IF YOU LACK THE QUALIFICATIONS TO DO SO, OR IF YOU HAVE DOUBTS ABOUT THE SAFETY AND SECURITY OF THE INSTALLATION SETUP OR LOCATION!**



**ALWAYS ATTACH A SAFETY CABLE WHENEVER INSTALLING THIS FIXTURE IN A SUSPENDED ENVIRONMENT TO ENSURE THE FIXTURE WILL NOT FALL IF THE CLAMP FAILS.**

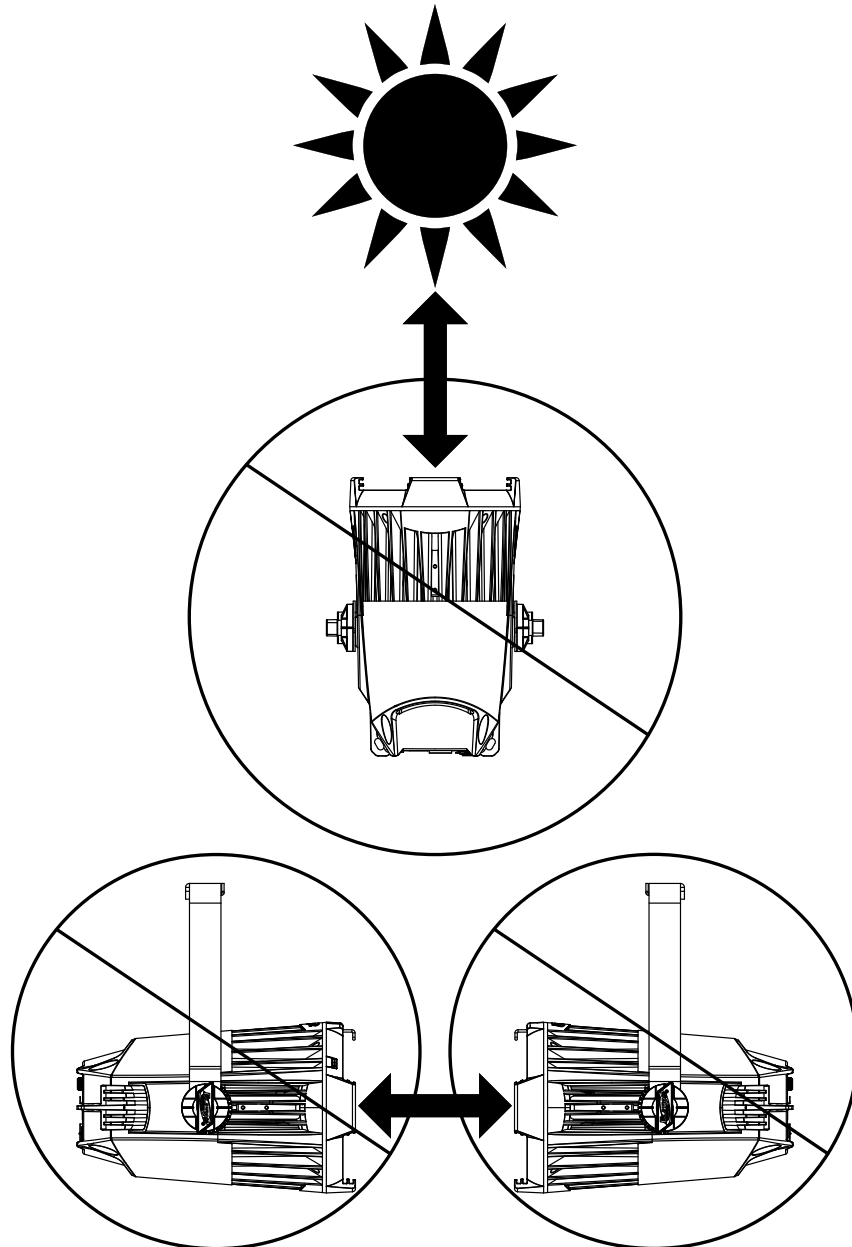
# INSTALLATION GUIDELINES

## POTENTIAL INTERNAL FIXTURE DAMAGE FROM EXTERNAL SOURCES OF LIGHT BEAMS

External sources of light beams from direct sunlight, lighting moving head fixtures, and lasers, which are focused directly towards the exterior housing and/or penetrate the front lens opening of ELATION lighting fixtures, can cause severe internal damage including burning to optics, dichroic color filters, glass and metal gobos, prisms, animation wheels, frost filters, iris, shutters, motors, belts, wiring, discharge lamps, and LEDs.

This issue is not specific only to ELATION lighting fixtures, it is a common issue with lighting fixtures from all manufacturers. Although there is no true way to fully prevent this issue from happening, the guidelines below can prevent any potential damage from occurring if followed. Contact ELATION Service for more details.

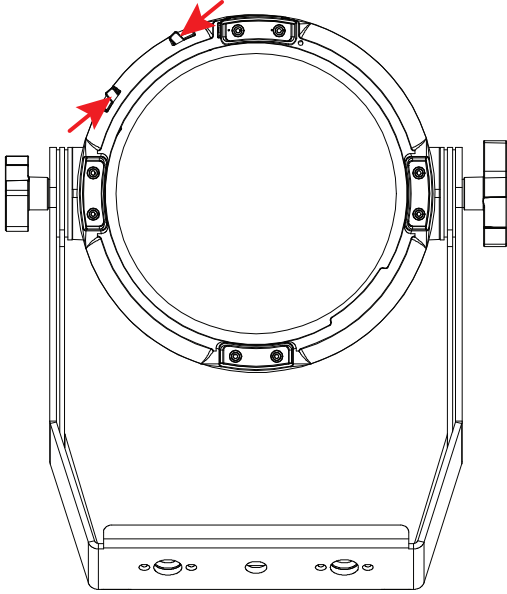
**DO NOT EXPOSE THE FIXTURE AND/OR FRONT LENS OPENING TO LIGHT BEAMS FROM DIRECT SUNLIGHT, OTHER LIGHTING MOVING HEAD FIXTURES, AND LASERS WHILE UNPACKING, INSTALLATION, USE, AND EXTENDED IDLE TIMES OUTDOORS. DO NOT FOCUS A LIGHT BEAM FROM ONE LIGHTING FIXTURE DIRECTLY TOWARDS ANOTHER.**



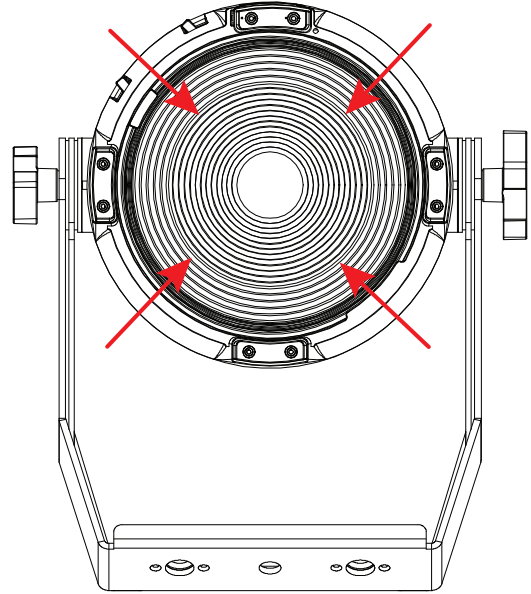
# ACCESSORY INSTALLATION

## LENS INSTALLATION

1. Locate the lens lock latches on the front of the fixture. Pinch the latches towards each other and hold in place.

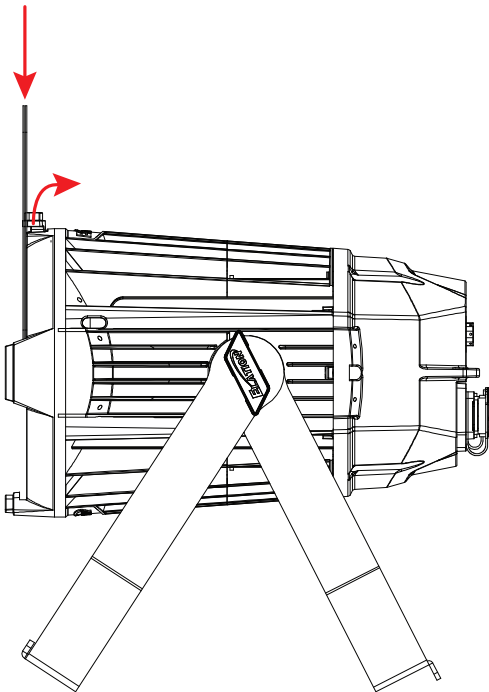


2. Insert the optional lens into position on top of the forward face of the fixture, then release the latches to fix in place.

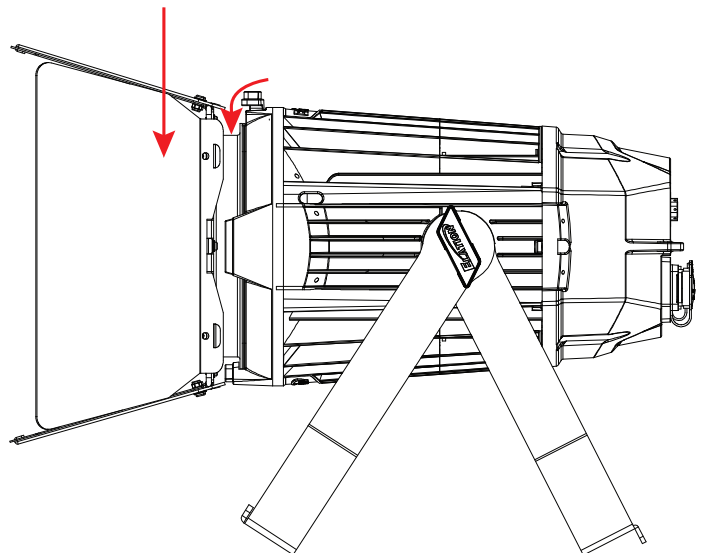


## BARNDOOR AND GEL FRAME INSTALLATION

1. Open the gel frame latch and slide the gel frame into the slot.



2. Slide the barndoor into the slot in front of the gel frame, then close the gel frame latch to secure in place.



# CONTROL PANEL

The fixture includes an easy to navigate system menu. The control panel display is located on the rear panel of the fixture (see image below) and provides access to the main system menu, where all necessary system adjustments are made to the fixture. During normal operation, pressing the MODE button once will access the fixture's main menu. Once in the main menu you can navigate through the different functions and access the sub-menus with the DOWN and UP buttons. Once you reach a field that requires adjusting, press the ENTER button to activate that field and use the DOWN and UP buttons to adjust the field. Pressing the ENTER button once more will confirm the setting. Exit the main menu at any time without making any adjustments by pressing the MODE button.

The control panel also features a touch sensitive slider bar located below the display. When the device is configured in Touch Bar Mode, this bar can be used to easily control a variety of functions. See the **Touch Bar Mode** section of this manual for detailed information.

The display screen will shut OFF automatically after 30 seconds of inactivity. To turn the display back on, press and hold the MODE button for 5 seconds.



**AN ELATION C-LOADER II CAN ALSO BE USED TO UPDATE THE FIXTURE TO THE LATEST SOFTWARE. To order this device, please contact Elation Support for further details.**

Detailed instructions can be found online at [www.elationlighting.com](http://www.elationlighting.com).

**ELATION SERVICE USA - Monday - Friday 8:00am to 4:30pm PST  
323-582-3322 | Fax 323-832-9142 | support@elationlighting.com**

**ELATION SERVICE EUROPE - Monday - Friday 08:30 to 17:00 CET  
+31 45 546 85 63 | Fax +31 45 546 85 96 | support@elationlighting.eu**



# REMOTE DEVICE MANAGEMENT (RDM)

**NOTE: In order for RDM to work properly, RDM enabled equipment must be used throughout the entire system, including DMX data splitters and wireless systems.**

Remote Device Management (RDM) is a protocol that sits on top of the DMX512 data standard for lighting, and allows the DMX systems of the fixtures to be modified and monitored remotely. This protocol is ideal for instances in which a unit is installed in a location that is not easily accessible.

With RDM, the DMX512 system becomes bi-directional, allowing a compatible RDM enabled controller to send out a signal to devices on the wire, as well as allowing the fixture to respond (known as a GET command). The controller can then use its SET command to modify settings that would typically have to be changed or viewed directly via the unit's display screen, including the DMX Address, DMX Channel Mode, and Temperature Sensors.

## FIXTURE RDM INFORMATION:

Device ID	Device Model ID	RDM Code	Personality ID
002F	47	22A6	001 01CH 002 06CH 003 11CH 004 17CH 005 09CH 006 13CH

Please be aware that **not all RDM devices support all RDM features**, and therefore it is important to check beforehand to ensure that the equipment that you are considering includes all of the features that you require.

The following parameters are accessible in RDM on this device:

[0x0011] Proxied Device Count	[0x0015] Comms Status	[0x0122] Default Slot Value
[0x0200] Sensor Definition	[0x0031] Status ID Description	[0x00B0] Language
[0x0201] Sensor Value	[0x0032] Clear Status ID	[0x00A0] Language Capabilities
[0x0080] Device Model Description	[0x0405] Device Power Cycles	[0x00C2] Boot Software Version Label
[0x0081] Manufacturer Label	[0x0500] Display Invert	[0x00C1] Boot Software Version ID
[0x0082] Device Label	[0x0501] Display Level	[0x0070] Product Detail ID List
[0x00E0] DMX Personality	[0x0603] Realtime Clock	[0x0030] Status Messages
[0x00E1] DMX Personality Description	[0x1010] Power State	[0x1001] Reset Device
[0x0400] Device Hours	[0x1031] Preset Playback	

# SYSTEM MENU

TOUCH BAR MODE	Disabled	For use when running fixture in DMX mode	
	Dimmer	For use when running fixture in dimmer mode	
	Int CCT Grn	For use when running fixture in CCT mode with touch bar control	
	Int Color Sat	For use when running fixture in color mode with touch bar control	
	Manual Control	For use when running fixture in manual control mode with touch bar control	
DMX	DMX Address	001 - 512	
	DMX Mode	1CH Dimmer	
		6CH Dimmer Color	
		11CH Standard	
		17CH Extended	
		9CH CMY	
		13CH CMY Extended	
	No DMX Status	Hold Last	
		Fade to Black	
Standalone			
CONTROL	Dimmer	000% - 100%	
	Manual Color	Red	0 - 255
		Green	0 - 255
		Blue	0 - 255
		Mint	0 - 255
		Amber	0 - 255
		CCT	2400K - 8500K (default = 6000K)
		Green Shift	-100% ~ +100% (default = 0)
	Virtual Color	See <b>Color Macros</b>	
	Primary	On / <b>Off</b>	
	Secondary	On / <b>Off</b>	
	Self Test	All	
		Dimmer	
Color			

# SYSTEM MENU

<b>SETTINGS</b>	Dim Modes	<b>Standard</b>	
		Stage	
		TV	
		Architectural	
		Theatre	
		Stage 2	
		Dim Speed	0s - 10s (default = <b>0.1s</b> )
	Dim to Warm	On / <b>Off</b>	
	Dim Curves	<b>Linear</b>	
		Square	
		Square Inverse	
		S-Curve	
	LED Refresh Rate	900Hz - 1500Hz, 2500Hz, 4000Hz, 5000Hz, 6000Hz, 10KHz, 15KHz, 20KHz, 25KHz (Default = <b>1200Hz</b> )	
	Color Tuning	Color Tuning Off	
		Highest Fidelity	
		High Fidelity	
		Balanced Output and Fidelity	
		High Output	
		<b>Highest Output</b>	
	LED Power Limit	50%	
		60%	
		70%	
		80%	
		90%	
		<b>100%</b>	
	Fan Mode	<b>Auto</b>	
		High	
Silent			
Display	Screen Delay	10s - 5min (default = <b>1min</b> )	
	Screen Lock	<b>Off</b> , 10s - 5min	
	Rotate Display	Yes	
		<b>No</b>	
	Auto		
Reset Defaults	Yes / <b>No</b>		

# SYSTEM MENU

<b>INFORMATION</b>	Time	Current Run Time	
		Total Run Time	
		Last Run Time	
	Temperature	Current	
		Max Resettable	
	DMX Values	Red	
		Green	
		...	
	Product IDs	RDM UID	
	Error Logs	Fixture Errors	
Software Version	Vx.x		
<b>SERVICE</b> (passcode = 050)	Calibration	Red 0 - 255	
		Green 0 - 255	
		Blue 0 - 255	
		Mint 0 - 255	
		Amber 0 - 255	
	Reset Last Run	Yes / No	
	Reset Error Logs	Yes / No	

# TOUCH BAR MODE

When the device has been set to Touch Bar mode, the lighting display can be adjusted using the touch bar located below the display screen. The touch bar is located just below the display screen, as shown below.



To enter Touch Bar mode, select the TOUCH BAR MODE option from the main system menu, as described in the System Menu section of this manual. Then use the UP and DOWN buttons to scroll through the different modes. Each mode is represented by one of the tables below. Press ENTER to select the mode that is currently displayed.

DIMMER MODE			
PARAMETER	VALUE	RESOLUTION	DEFAULT
Intensity	Intensity 0-100%	1%	0%

INT CCT GRN MODE			
PARAMETER	VALUE	RESOLUTION	DEFAULT
Intensity	Intensity 0-100%	1%	0%
Color Temperature	CCT 2400 - 8500K	100K	6000K
Green Shift	GRN -100% to +100%	1%	Neutral

INT COLOR SAT MODE			
PARAMETER	VALUE	RESOLUTION	DEFAULT
Intensity	Intensity 0-100%	1%	0%
Color	Virtual Color 1, 2, 3, 4...	Single Color	
Saturation	Sat 0 - 100%	1%	100%

MANUAL CONTROL MODE			
PARAMETER	VALUE	RESOLUTION	DEFAULT
Intensity	Intensity 0-100%	1%	100%
Strobe	Strobe 0-255	1	0
Red	Red 0-255	1	0
Green	Green 0-255	1	0
Blue	Blue 0-255	1	0
Mint	Mint 0-255	1	0
Amber	Amber 0-255	1	0

# FAN CONTROL AND LOW NOISE OPERATION

This fixture is a high-performance device suited for multiple applications. For noise critical environments such as Theater, Opera, or Orchestral Halls, it offers various fan operation modes which remove unwanted noise distractions for the audience and performers. Fan Modes can be changed remotely via the DMX control channel, allowing the fixture to offer high output or whisper-silent operation at a moment's notice.

**Auto (Default)** – Fans only run at the speeds needed to keep the LED engine within a safe temperature range, and ensures optimal performance of the fixture. They will turn off if possible; for example, when the fixture is dimmed to a low intensity. Fans sense the ambient and fixture temperature and will, at all times, try to keep noise levels at a minimum. The fixture output will only be reduced when the LED engine cannot be cooled to its safe operating range due to a high ambient temperature.

**NOTE: This mode is recommended for daily operation.**

**Silent** - 75-80% max output, fans run at low speed.

**High** – Fan speeds are increased throughout the fixture for the most efficient cooling. This mode will increase wear on the fans and should only be utilized in exceptional circumstances. Fans will always run, even if the fixture is dimmed. Fixture output is kept at 100% unless the LED engine temperature reaches an unsafe temperature, at which point the fixture will reduce power carefully to ensure continued safe operation. This mode is only required in very high ambient temperatures when automatic fan speed adjustments are not desired.

# DMX TRAITS

Dimmer 1CH	Dimmer Color 6CH	Std 11CH	Ext 17CH	CMY 9CH	CMY Ext 13CH	DMX Values	Function	Snap	Def Value
1	1	1	1	1	1	0 - 255	<b>Dimmer</b> Intensity, 0% → 100%		0
	2	2	2	2	2	0 - 255	<b>Dimmer Fine</b> Fine Intensity Control		0
	3	3	3	3	3		<b>Shutter/Strobe</b>		50
						0 - 31	Shutter closed		
						32 - 63	No function (shutter open)		
						64 - 95	Strobe effect, slow to fast		
						96 - 127	No function (shutter open)		
						128 - 159	Pulse effect (in sequence)		
						160 - 191	No function (shutter open)		
						192 - 223	Random strobe effect, slow to fast		
						224 - 255	No function (shutter open)		
		4	4			0 - 255	<b>Red</b> 0% → 100%		0
			5			0 - 255	<b>Red Fine</b> Fine Adjustment		0
		5	6			0 - 255	<b>Green</b> 0% → 100%		0
			7			0 - 255	<b>Green Fine</b> Fine Adjustment		0
		6	8			0 - 255	<b>Blue</b> 0% → 100%		0
			9			0 - 255	<b>Blue Fine</b> Fine Adjustment		0
		7	10			0 - 255	<b>Mint</b> 0% → 100%		0
			11			0 - 255	<b>Mint Fine</b> Fine Adjustment		0
		8	12			0 - 255	<b>Amber</b> 0% → 100%		0
			13			0 - 255	<b>Amber Fine</b> Fine Adjustment		0
				4	4	0 - 255	<b>Cyan</b> 0% → 100%		0
					5	0 - 255	<b>Cyan Fine</b> Fine Adjustment		0
				5	6	0 - 255	<b>Magenta</b> 0% → 100%		0
					7	0 - 255	<b>Magenta Fine</b> Fine Adjustment		0

# DMX TRAITS

Dimmer 1Ch	Dimmer Color 6Ch	Std 11Ch	Ext 17Ch	CMY 9Ch	CMY Ext 13Ch	DMX Values	Function	Snap	Def Value
				6	8	0 - 255	<b>Yellow</b> 0% → 100%		0
					9	0 - 255	<b>Yellow Fine</b> Fine Adjustment		0
	4	9	14	7	10		<b>Variable CCT</b>		0
						0 - 23	Open		
						24 - 85	2400K → 8500K, see CTO Table section		
						86 - 255	8500K		
	5	10	15	8	11		<b>Color</b>		0
						0	Open		
						1 - 179	Virtual Swatch Book, see Virtual Colors Table section		
							<b>Color Scroll</b>		
						180 - 201	Clockwise, fast → slow		
						202 - 207	Stop		
						208 - 229	Counter-Clockwise, slow → fast		
						230 - 234	Open		
							<b>Random Slots</b>		
						235 - 239	Fast		
						240 - 244	Medium		
						245 - 249	Slow		
						250 - 255	Open		
					12		<b>Dim Modes</b>		X
						0 - 20	Standard		
						21 - 40	Stage		
						41 - 60	TV		
						61 - 80	Architectural		
						81 - 100	Theatre		
						101 - 120	Stage 2		
							<b>Dimmer Delay Time</b>		
			16			121	0s		
						122	0.1s		
						123	0.2s		
						124	0.3s		
						125	0.4s		
						126	0.5s		
						127	0.6s		
						128	0.7s		
						129	0.8s		
						130	0.9s		
						131	1.0s		
						132	1.5s		



# DMX TRAITS

Dimmer 1Ch	Dimmer Color 6Ch	Std 11Ch	Ext 17Ch	CMY 9Ch	CMY Ext 13Ch	DMX Values	Function	Snap	Def Value
			16		12		<b>Dimmer Delay time (continued)</b>	X	0
						133	2.0s		
						134	3.0s		
						135	4.0s		
						136	5.0s		
						137	6.0s		
						138	7.0s		
						139	8.0s		
						140	9.0s		
						141	10.0s		
						142 - 149	Idle		
							<b>Dim to Warm</b>		
						150 - 154	DTW On		
						155 - 159	DTW Off		
						160 - 255	Idle		
							<b>Control</b>	X	0
						0 - 29	Idle		
						30 - 39	Fan Mode Auto		
						40 - 49	Fan Mode Silent		
						50 - 59	Fan Mode High		
						60 - 99	Idle		
							<b>Refresh Rate (Hz)</b>		
	6	11	17	9	13	100	900		
						101	910		
						102	920		
						103	930		
						104	940		
						105	950		
						106	960		
						107	970		
						108	980		
						109	990		
						110	1000		
						111	1010		
						112	1020		
						113	1030		
						114	1040		
						115	1050		
						116	1060		
						117	1070		
						118	1080		
						119	1090		

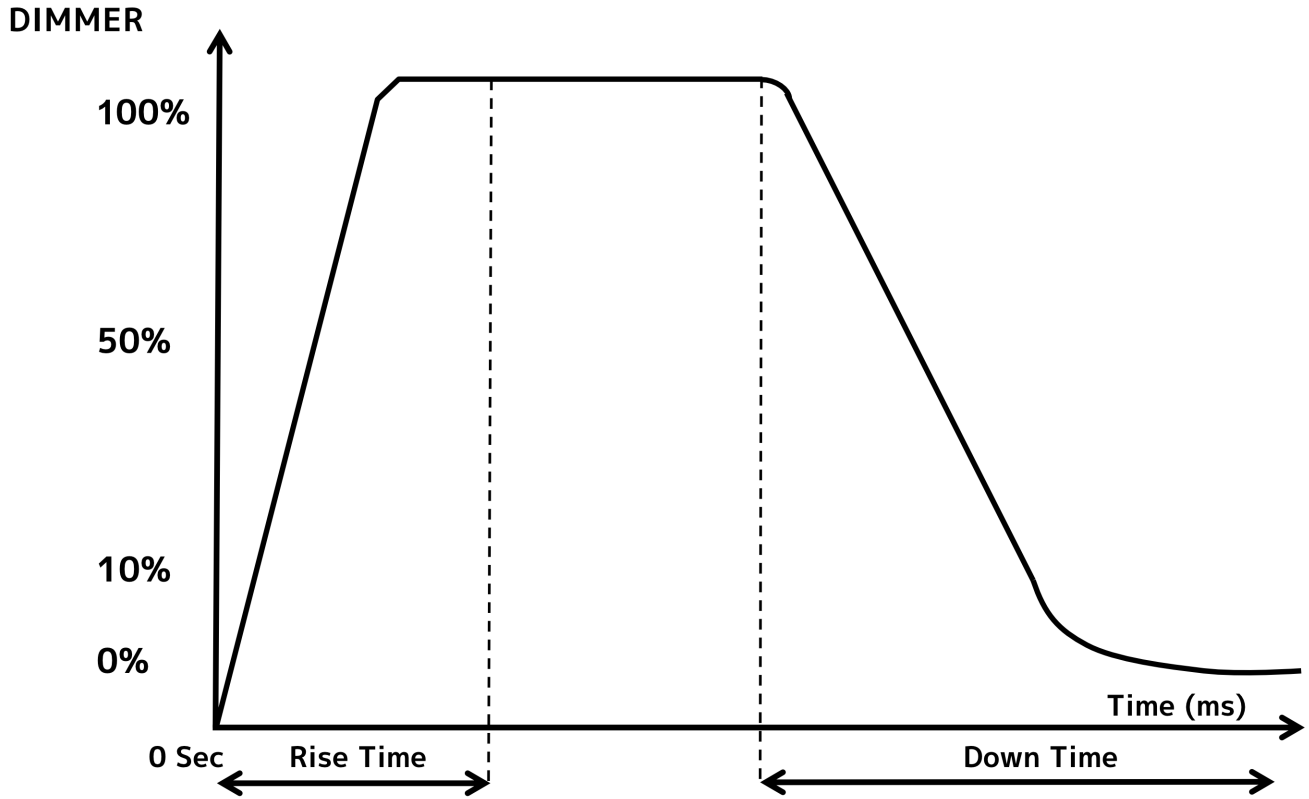
# DMX TRAITS

Dimmer 1Ch	Dimmer Color 6Ch	Std 11Ch	Ext 17Ch	CMY 9Ch	CMY Ext 13Ch	DMX Values	Function	Snap	Def Value
							<b>Refresh Rate (Hz) (continued)</b>		
						120	1100		
						121	1110		
						122	1120		
						123	1130		
						124	1140		
						125	1150		
						126	1160		
						127	1170		
						128	1180		
						129	1190		
						130	1200		
						131	1210		
						132	1220		
						133	1230		
						134	1240		
						135	1250		
						136	1260		
						137	1270		
						138	1280		
						139	1290		
	6	11	17	9	13	140	1300	X	0
						141	1310		
						142	1320		
						143	1330		
						144	1340		
						145	1350		
						146	1360		
						147	1370		
						148	1380		
						149	1390		
						150	1400		
						151	1410		
						152	1420		
						153	1430		
						154	1440		
						155	1450		
						156	1460		
						157	1470		
						158	1480		
						159	1490		
						160	1500		
						161	2500		

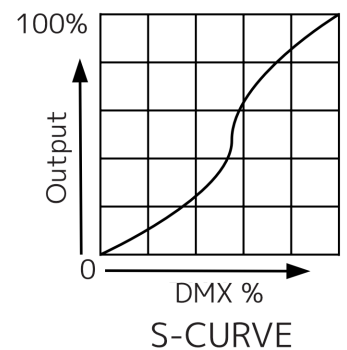
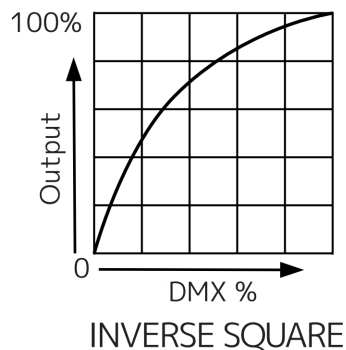
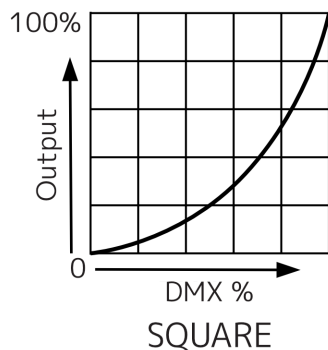
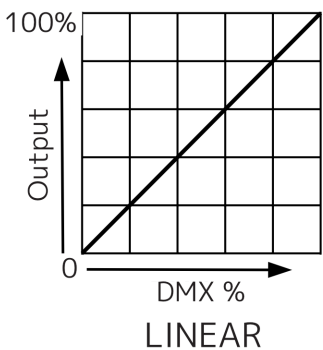
# DMX TRAITS

Dimmer 1Ch	Dimmer Color 6Ch	Std 11Ch	Ext 17Ch	CMY 9Ch	CMY Ext 13Ch	DMX Values	Function	Snap	Def Value
							<b>Refresh Rate (Hz) (continued)</b>		
						162	4000		
						163	5000		
						164	6000		
						165	10000		
						166	15000		
						167	20000		
						168	25000		
						169 - 172	Idle		
							<b>Color Tuning</b>		
						173 - 174	Color Tuning Off		
						175 - 176	Highest Fidelity	X	0
						177 - 178	High Fidelity		
						179 - 180	Balanced Output and Fidelity		
						181 - 182	High Output		
						183 - 184	Highest Output (Default)		
						185 - 190	Idle		
							<b>Dimmer Curves</b>		
						201 - 210	Dimmer Curve Linear (Default)		
						211 - 220	Dimmer Curve Square		
						221 - 230	Dimmer Curve Inverse Square		
						231 - 240	Dimmer Curve S-Curve		
						241 - 255	Idle		

# DIMMER MODES & CURVES



Dimming Curve Ramp Effect	0 sec Fade Time		1 sec Fade Time	
	Rise Time (ms)	Down Time (ms)	Rise Time (ms)	Down Time (ms)
Standard (default)	0	0	0	0
Stage	780	1100	1540	1660
TV	1180	1520	1860	1940
Architectural	1380	1730	2040	2120
Theatre	1580	1940	2230	2280
Stage 2	0	1100	0	1660



# COLOR TEMPERATURE CHART

DMX VALUE	COLOR TEMPERATURE (K)	DMX VALUE	COLOR TEMPERATURE (K)
24	2400	63	6300
25	2500	64	6400
26	2600	65	6500
27	2700	66	6600
28	2800	67	6700
29	2900	68	6800
30	3000	69	6900
31	3100	70	7000
32	3200	71	7100
33	3300	72	7200
34	3400	73	7300
35	3500	74	7400
36	3600	75	7500
37	3700	76	7600
38	3800	77	7700
39	3900	78	7800
40	4000	79	7900
41	4100	80	8000
42	4200	81	8100
43	4300	82	8200
44	4400	83	8300
45	4500	84	8400
46	4600	85	8500
47	4700		
48	4800		
49	4900		
50	5000		
51	5100		
52	5200		
53	5300		
54	5400		
55	5500		
56	5600		
57	5700		
58	5800		
59	5900		
60	6000		
61	6100		
62	6200		

# COLOR MACROS CHART

Value	Filter Number	Name	Value	Filter Number	Name
1	7	Pale Yellow	32	49	Medium Purple
2	103	Straw	33	58	Lavender
3	151	Gold Tint	34	199	Palace Blue
4	100	Spring Yellow	35	119	Dark Blue
5	10	Medium Yellow	36	132	Medium Blue
6	101	Yellow	37	120	Deep Blue
7	104	Deep Amber	38	165	Daylight Blue
8	15	Deep Straw	39	161	Slate Blue
9	179	Loving Amber	40	118	Light Blue
10	21	Gold Amber	41	68	Sky Blue
11	105	Orange	42	143	Pale Navy Blue
12	158	Deep Orange	43	131	Marine Blue
13	22	Dark Amber	44	115	Peacock Blue
14	778	Millenium Gold	45	172	Lagoon Blue
15	135	Deep Golden Ambe	46	116	Medium Blue Green
16	24	Scarlet	47	90	Dark Yellow Green
17	106	Primary Red	48	139	Primary Green
18	26	Bright Red	49	122	Fern Green
19	27	Medium Red	50	89	Moss Green
20	19	Fire	51	124	Dark Green
21	157	Pink	52	88	Lime Green
22	36	Medium Pink	53	138	Pale Green
23	111	Dark Pink	54	203	Quarter CT Blue
24	128	Bright Pink	55	202	Half CT Blue
25	148	Bright Rose	56	201	FULL CT Blue
26	332	Special Rose Pink	57	200	double CT Blue
27	793	Vanity Fair	58	206	Quarter CT Orange
28	113	Magenta	59	205	Half CT Orange
29	46	Dark Magenta	60	204	FULL CT Orange
30	48	Rose Purple	61-179		No function
31	126	Mauve			

# TORQUE SETTINGS FOR SCREWS

IN ORDER TO MAINTAIN THE IP65 RATING ON THE LIGHTING FIXTURES, ALL SCREWS MUST BE TIGHTENED TO THE FOLLOWING TORQUE SPECIFICATION USING A TORQUE DRIVER.

Refer to the table and diagram below for torque specifications.

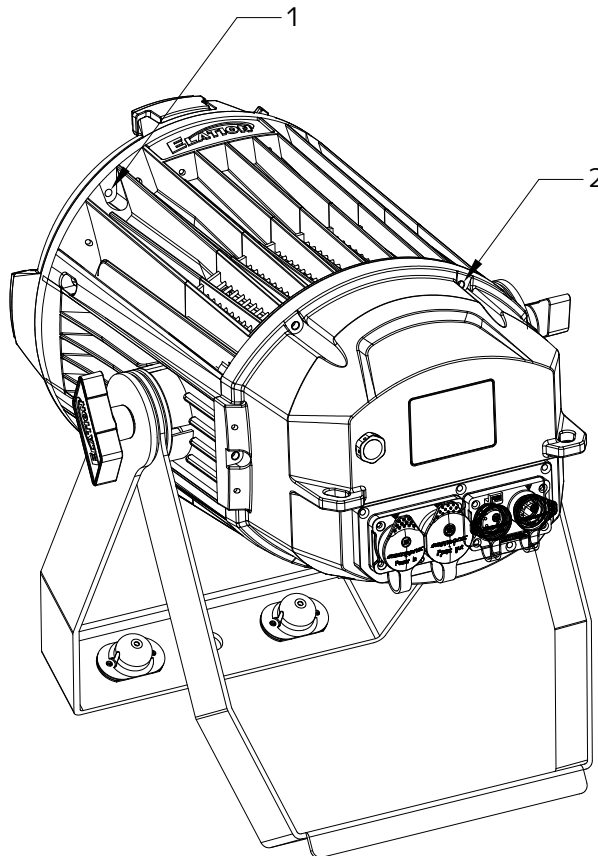
TORQUE DRIVERS (Recommended): UTICA TS-30 (shown)

ALTERNATE DRIVERS:

- Proto J6107A
- Wiha 28887



**CAUTION! DO NOT OVER TORQUE SCREWS, AS THIS CAN CAUSE LEAKAGE ISSUES!**

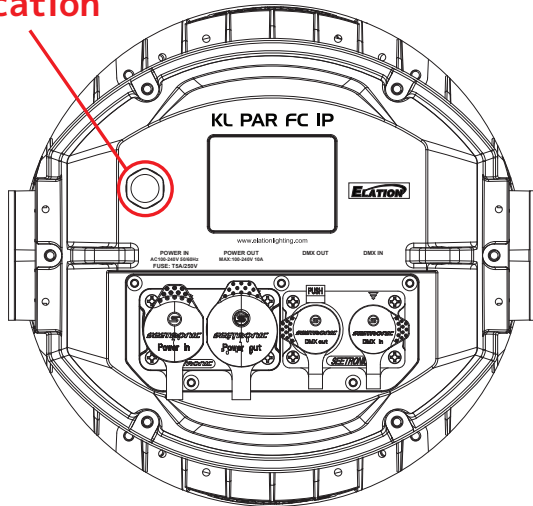


NO.	LOCATION	QUANTITY	TORQUE
1	Front Cover	8	8.7 ± 0.4 lb-in (10.0 ± 0.5 kg-cm)
2	Back Cover	6	8.7 ± 0.4 lb-in (10.0 ± 0.5 kg-cm)

# IP TEST PARAMETERS

Following any repair or maintenance procedure that requires disassembly of the fixture, use Elation's IP Tester to confirm the IP integrity of the fixture. The air valve is located on the back panel next to the display screen, as shown in the diagram below. Please contact Elation Service for information regarding the Elation IP Tester, or visit the product information page online at: <https://www.elationlighting.com/ip-tester>

**Air Valve Location**



**CAUTION! THE USE OF PROTECTIVE GLOVES AND SAFETY GOGGLES IS STRONGLY RECOMMENDED WHILE PERFORMING THE IP PRESSURE TEST! AVOID PLACING YOUR FACE, EYES, HANDS, ETC IN CLOSE PROXIMITY TO THE FIXTURE'S LENS WHILE PERFORMING THE TEST!**

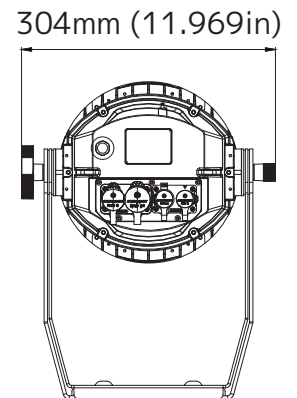
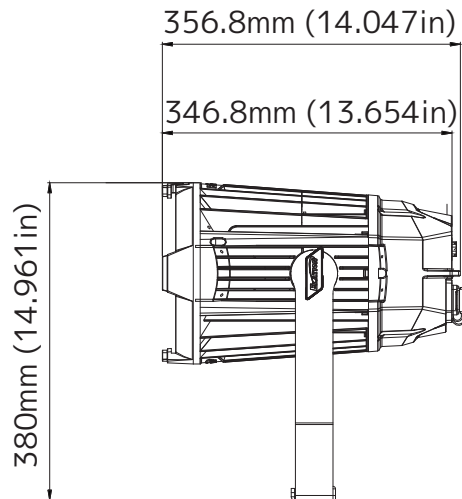
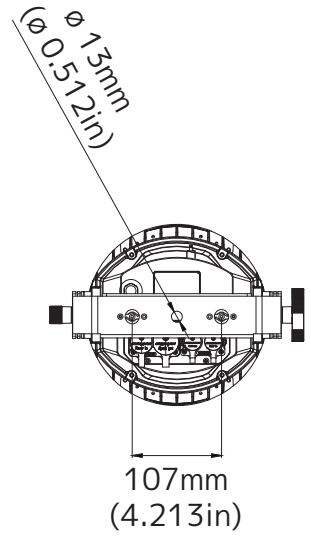
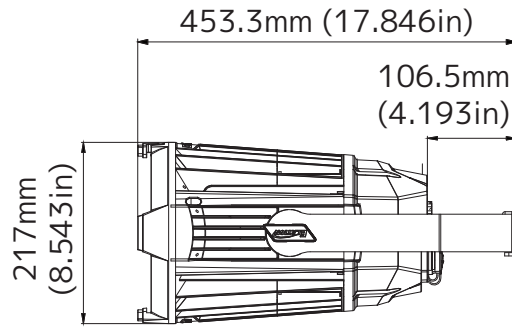
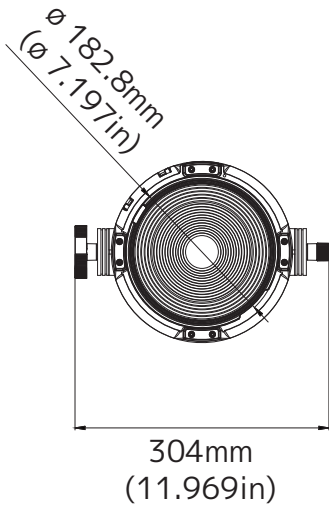
**DE-HUMIDIFICATION:** IP65 fixtures operating in high-humidity environments may experience residual fogging or condensation. Such fogging will not damage the fixture, and can be removed using the following procedure: position the unit with the air valve pointing upwards, then open the air valve and run the unit for 1-2 hours after reaching operating temperature. Then, while the fixture is still hot, re-install the air valve and allow the unit to cool down. Please note that this procedure should be performed in a dry, air-conditioned environment. Avoid additional fogging by drying the fixture completely before placing into a road case.



IP PRESSURE TESTING PARAMETERS				
Low Pressure Limit	High Pressure Limit	Balance Time	Inspection Time	Acceptable Leakage
2.901 psi (20.0 KPa)	3.336 psi (23.0 KPa)	15 sec	15 sec	0.015 psi (0.1 KPa) (100 Pa)



# DIMENSIONAL DRAWINGS



# SPECIFICATIONS

## SOURCE

365W 6500K RGBMA LED Engine

50,000 Hour Average LED Life\*

\*May vary depending on several factors including but not limited to:

Environmental Conditions, Power/Voltage, Usage Patterns (On-Off Cycling), Control and Dimming.

## PHOTOMETRIC DATA

11,000 Total Lumen Output

CRI 92

TLCI 95

## INCLUDED LENSES

VNSP (11°)

NSP (22°)

MFL (30°)

WFL (52°)

## EFFECTS

Electronic Dimmer and Strobe

Variable 16-bit Dimming Modes and Curves

## COLOR

RGBMA Color Array

CMY Emulation

Variable CCT 2400K - 8500K

Green/Magenta Shift

Virtual Gel Swatch Book

## CONTROL / CONNECTIONS

6 DMX Channel Modes (1, 6, 11, 18, 9, 14)

Manual and DMX Controlled Dimmer and Color

Single Rotary Dial

4 Button Control Panel, LED Display

RDM (Remote Device Management)

IP 65 3/5pin DMX and IP65 Locking Power Cable In/Out

## SIZE / WEIGHT

Length: 12.2" (310mm)

Width: 8.54" (217mm)

Vertical Height: 17.87" (454mm)

Weight: 16.53 lbs. (7.5kg)

## ELECTRICAL / THERMAL

AC 100-240V - 50/60Hz

375W Max Power Consumption

-40°F to 113°F (-40°C to 45°C)

BTU/hr (+/- 10%) 891.76

## APPROVALS / RATINGS

CE | cETLus | IP65 | FCC | UKCA



# ORDERING INFORMATION

SKU (US)	SKU (EU)	ITEM DESCRIPTION
KLP528	1237000279	KL Par FC IP
KLP959	1236100143	7.5" Barndoors
KLP987	1236100144	XWFL Lens
KLP988	1236100145	Glass Lens
KLP993	1236100192	Ovalizer Lens
8050000053	8050000053	Omega Bracket

## FCC STATEMENT

This device complies with Part 15 of the FCC Rules. Operation is subject to the following two conditions: (1) this device may not cause harmful interference, and (2) this device must accept any interference received, including interference that may cause undesired operation.

### FCC RADIO FREQUENCY INTERFERENCE WARNINGS & INSTRUCTIONS

This product has been tested and found to comply with the limits as per Part 15 of the FCC Rules. These limits are designed to provide reasonable protection against harmful interference in a residential installation. This device uses and can radiate radio frequency energy and, if not installed and used in accordance with the included instructions, may cause harmful interference to radio communications. However, there is no guarantee that interference will not occur in a particular installation. If this device does cause harmful interference to radio or television reception, which can be determined by turning the device off and on, the user is encouraged to try to correct the interference by one or more of the following methods:

- Reorient or relocate the device.
- Increase the separation between the device and the receiver.
- Connect the device to an electrical outlet on a circuit different from which the radio receiver is connected.
- Consult the dealer or an experienced radio/TV technician for help.

### Energy Saving Matters (EuP 2009/125/EC)

Saving electric energy is a key to help protecting the environment. Please turn off all electrical products when they are not in use. To avoid power consumption in idle mode, disconnect all electrical equipment from power when not in use. Thank you!



